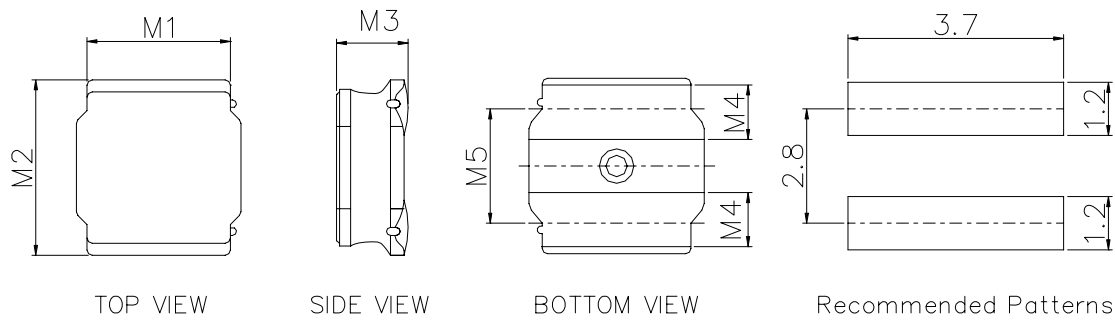


SMD POWER INDUCTORS

CSM0418D Series

A. Mechanical Dimensions: (Unit: mm)



M1	M2	M3	M4	M5	Standard Quantity (PCS) Tape & Reel
4.0 ±0.2	4.0 ±0.2	1.8 MAX.	1.1 ±0.2	2.5 ±0.2	3500

B. Feature:

1. Low profile and miniature size.
2. Magnetic shielded construction.
3. High saturation current.
4. RoHS compliant and Halogen Free.

C. Application:

For portable D/D converter used in Cellular phones · DVCs · DSCs · PDAs · HDDs · LCD displays etc.

D. Electrical Specifications: at Ta:20°C

Part Number.	Nominal Inductance (uH) @100KHz	Inductance Tolerance	D.C. Resistance ±20% (Ω)	Rated Current (mA)		Self-resonant Frequency (MHz) Min
				Saturation Current Idc1	Temperature Rise Current Idc2	
CSM0418D-470M-LRH	47	±20%	0.65	570	420	10
CSM0418D-680M-LRH	68	±20%	1.00	470	320	8.3
CSM0418D-101M-LRH	100	±20%	1.5	400	270	6.5
CSM0418D-151M-LRH	150	±20%	2.5	310	220	5.5
CSM0418D-221M-LRH	220	±20%	4.0	270	170	4.0

1. Operating Temp. Range : -25 °C to +125 °C. (Including self-heating)
2. Storage Temp. Range: -40 °C to +85 °C.
3. Inductance measured using the HP4285A and Chroma1320 & 3302.
4. DCR measured using Chroma16502 .
5. SRF measured using the HP4291B .
6. Saturation Current Idc1: The value of current causes a 30% inductance reduction from initial value.
7. Temperature rise current Idc2: The value of current causes a 40°C temperature rise.
8. Rated Current: Either Idc1 or Idc2 whichever is smaller.
9. MSL : Level 1