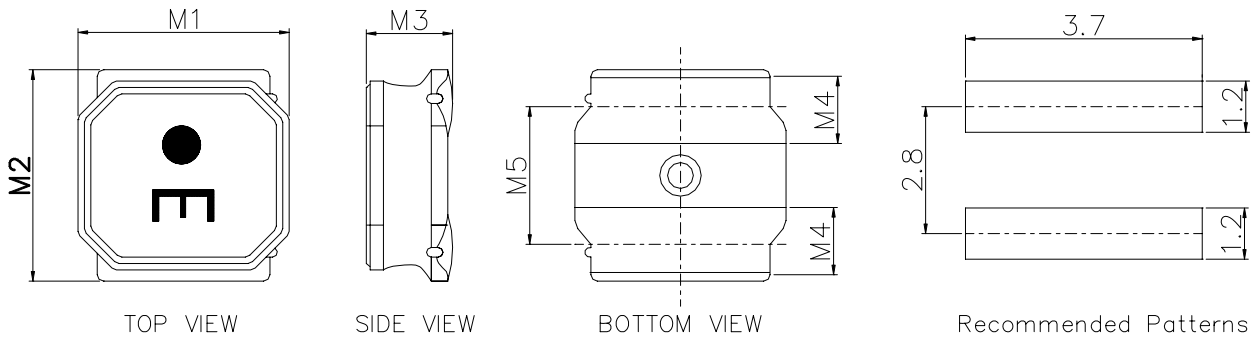


SMD POWER INDUCTORS

CSMS0418D Series

A. Mechanical Dimensions: (Unit: mm)



M1	M2	M3	M4	M5	Standard Quantity (PCS) Tape & Reel
4.0 ±0.2	4.0 ±0.2	1.8 MAX.	1.1 ±0.2	2.5 ±0.2	3500

B. Feature:

1. Low profile and miniature size.
2. Magnetic shielded construction.
3. High saturation current.
4. RoHS compliant and Halogen Free.

C. Application:

For portable D/D converter used in Cellular phones 、 DVCs 、 DSCs 、 PDAs 、 HDDs 、 LCD displays etc.

D. Electrical Specifications: at Ta:20°C

Part Number.	Inductance Symbol	Nominal Inductance (uH) @100KHz	Inductance Tolerance.	D.C. Resistance ±20% (Ω)	Rated Current (mA)		Self-resonant Frequency (MHz) Min
					Saturation Current Idc1	Temperature Rise Current Idc2	
CSMS0418D-1R0N-LRH	A	1.0	±30%	0.027	4000	3200	90
CSMS0418D-2R2M-LRH	C	2.2	±20%	0.042	3000	2200	60
CSMS0418D-3R3M-LRH	E	3.3	±20%	0.055	2300	2000	45
CSMS0418D-4R7M-LRH	H	4.7	±20%	0.070	2000	1700	35
CSMS0418D-6R8M-LRH	I	6.8	±20%	0.098	1600	1450	30
CSMS0418D-100M-LRH	K	10	±20%	0.150	1300	1200	25
CSMS0418D-150M-LRH	M	15	±20%	0.210	1100	850	18
CSMS0418D-220M-LRH	N	22	±20%	0.290	900	720	15
CSMS0418D-330M-LRH	P	33	±20%	0.460	700	550	12

1. Operating Temp. Range : -25 °C to +125 °C. (Including self-heating)
2. Storage Temp. Range: -40 °C to +85 °C.
3. Inductance measured using the HP4285A LCR meter, Chroma1320 & 3302.
4. DCR measured using Chroma16502.
5. SRF measured using the HP4291B.
6. Saturation Current Idc1: The value of current causes a 30% inductance reduction from initial value.
7. Temperature rise current Idc2: The value of current causes a 40°C temperature rise.
8. Rated Current: Either Idc1 or Idc2 whichever is smaller.
9. MSL : Level 1