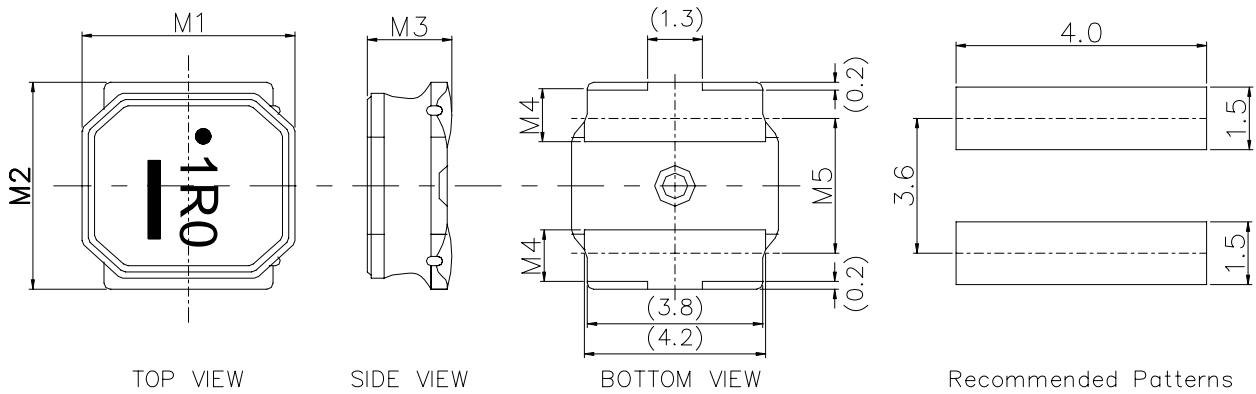


SMD POWER INDUCTORS

CSMS0520D Series

A. Mechanical Dimensions: (Unit: mm)



M1	M2	M3	M4	M5	Standard Quantity (PCS) Tape & Reel
4.9 ±0.2	4.9 ±0.2	2.0 MAX.	1.2 ±0.2	3.3 ±0.2	800

B. Feature:

1. Low profile and miniature size.
2. Magnetic shielded construction.
3. High saturation current.
4. RoHS compliant and Halogen Free.

C. Application:

For portable D/D converter used in Cellular phones · DVCs · DSCs · PDAs · HDDs · LCD displays etc.

D. Electrical Specifications: at Ta:20°C

Part Number.	Nominal Inductance (uH) @100KHz	Inductance Tolerance.	D.C. Resistance ±20% (Ω)	Rated Current (mA)		Self-resonant Frequency Min (MHz)
				Saturation Current Idc1	Temperature Rise Current Idc2	
CSMS0520D-1R0N-LRH	1.0	±30%	0.021	4000	3600	81
CSMS0520D-1R5N-LRH	1.5	±30%	0.026	3350	3200	68
CSMS0520D-2R2N-LRH	2.2	±30%	0.035	2900	2900	57
CSMS0520D-3R3N-LRH	3.3	±30%	0.048	2400	2400	46
CSMS0520D-4R7M-LRH	4.7	±20%	0.060	2000	2000	37
CSMS0520D-6R8M-LRH	6.8	±20%	0.090	1600	1650	30
CSMS0520D-100M-LRH	10	±20%	0.120	1300	1450	24
CSMS0520D-150M-LRH	15	±20%	0.165	1100	1200	20
CSMS0520D-220M-LRH	22	±20%	0.260	900	1000	17

1. Operating Temp. Range : -25 °C to +125 °C. (Including self-heating)
2. Storage Temp. Range: -40 °C to +85 °C.
3. Inductance measured using the HP4285A LCR meter, Chroma1320 & 3302.
4. DCR measured using Chroma16502.
5. SRF measured using the HP4291B.
6. Saturation Current Idc1: The value of current causes a 30% inductance reduction from initial value.
7. Temperature rise current Idc2: The value of current causes a 40°C temperature rise.
8. Rated Current: Either Idc1 or Idc2 whichever is smaller.
9. MSL : Level 1